

**PLEASE CHECK WWW.MOLEX.COM FOR LATEST PART INFORMATION**

**Part Number:** [0003091091](#)  
**Status:** **Active**  
**Overview:** [standard\\_093](#)  
**Description:** 2.36mm (.093") Diameter Standard .093 Pin and Socket Receptacle Housings, 9 Circuits, 3 Rows

**Documents:**

<a href="#">3D Model</a>	<a href="#">Product Specification PS-1292-002 (PDF)</a>
<a href="#">Drawing (PDF)</a>	<a href="#">Product Specification PS-42477 (PDF)</a>
<a href="#">Packaging Specification (PDF)</a>	<a href="#">Product Specification PS-43660-9999 (PDF)</a>
<a href="#">Product Specification PS-02-09 (PDF)</a>	<a href="#">RoHS Certificate of Compliance (PDF)</a>
<a href="#">Product Specification PS-1292-001 (PDF)</a>	

**Agency Certification**

CSA	LR19980
UL	E29179

**General**

Product Family	Crimp Housings
Series	<a href="#">1292</a>
Comments	14.0A max. can be achieved when housing is used with 42477 or 42478 terminals
MolexKits	Yes
Overview	<a href="#">standard_093</a>
Product Name	Standard .093"

**Physical**

Circuits (maximum)	9
Color - Resin	Natural
Flammability	94V-2
Gender	Dual
Glow-Wire Compliant	No
Material - Resin	Nylon
Number of Rows	3
Packaging Type	Bag
Panel Mount	Yes
Pitch - Mating Interface (in)	0.198 In
Pitch - Mating Interface (mm)	5.03 mm
Stackable	No
Temperature Range - Operating	-40°C to +105°C

**Electrical**

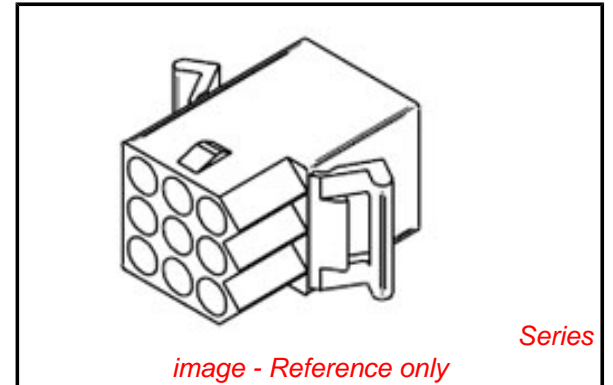
Current - Maximum per Contact	11A
-------------------------------	-----

**Material Info**

Old Part Number	1292-R
-----------------	--------

**Reference - Drawing Numbers**

Packaging Specification	PK-1292-001
Product Specification	PS-02-09, PS-1292-001, PS-1292-002, PS-42477, PS-43660-9999
Sales Drawing	SD-1292-*



**EU RoHS**

**ELV and RoHS Compliant**  
**REACH SVHC Contains SVHC: No**  
**Halogen-Free Status**  
**Not Reviewed**

**China RoHS**



**Need more information on product environmental compliance?**

Email [productcompliance@molex.com](mailto:productcompliance@molex.com)  
 For a multiple part number RoHS Certificate of Compliance, [click here](#)

Please visit the [Contact Us](#) section for any non-product compliance questions.

**Search Parts in this Series**

[1292Series](#)

**Mates With**

[3099](#) shrouded PCB connector, [1292p](#)

**Use With**

[1189](#) Crimp Terminals, [1190](#) Crimp Terminals, [1376](#) Male PC Tail Terminals, [1377](#) Female PC Tail Terminals, [1380](#) Male Crimp Terminals, [1381](#) Female Crimp Terminals, [1433](#) Crimp Terminals, [1434](#) Male Crimp Terminals, [1973](#) , [2151](#) , [2273](#) , [2870](#) , [2871](#) , [4272](#) , [4550](#) , [6271](#) , [6310](#) , [42477](#) , [42478](#)



PLUG	
PART NO.	ENG. NO.
03-09-2091	I292-P
03-09-2092	I292-PI
03-09-7091	I292-PBK
03-09-7092	I292-PIBK
NOT TOOLED	I292-P2
27-09-2092	I292-PI-A

RECEPTACLE	
PART NO.	ENG. NO.
03-09-1091	I292-R
03-09-1092	I292-RI
03-09-6091	I292-RBK
03-09-6092	I292-RIBK
03-09-1093	I292-R2
03-09-6093	I292-R2BK
03-09-1094	I292-R3
03-09-6094	I292-R3BK
27-09-1093	I292-R2-A

LEGEND: PLUG

I292-P\*\*\*-\*

P = PLUG

BLANK = OPT. PLUG WITH PREBENT EARS

1 = STD. PLUG WITHOUT PREBENT EARS

2 = STD. PLUG WITH PREBENT EARS & RIBS

COLOR: BLANK=NATURAL COLOR

AM=AMBER BK=BLACK BU=BLUE

BN=BROWN GY=GRAY GN=GREEN

OR=ORANGE RD=RED YW=YELLOW

MATERIAL: BLANK = NYLON 6/6, U.L. 94V-2

A = NYLON 6/6, U.L. 94V-0

LEGEND: RECEPTACLE

I292-R\*\*\*-\*

R = RECEPTACLE

BLANK = WITH PREBENT EARS, WITH LOCK RAMP

1 = WITH PREBENT EARS, WITHOUT LOCK RAMP

2 = WITHOUT EARS, WITHOUT LOCK RAMP

3 = WITHOUT EARS, WITH LOCK RAMP

COLOR: BLANK=NATURAL COLOR

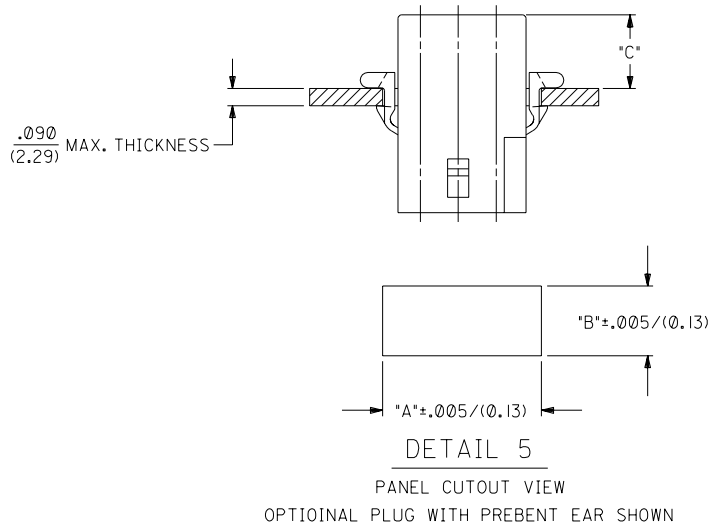
AM=AMBER BK=BLACK BU=BLUE

BN=BROWN GY=GRAY GN=GREEN

OR=ORANGE RD=RED YW=YELLOW

MATERIAL: BLANK = NYLON 6/6, U.L. 94V-2

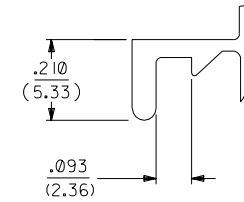
A = NYLON 6/6, U.L. 94V-0



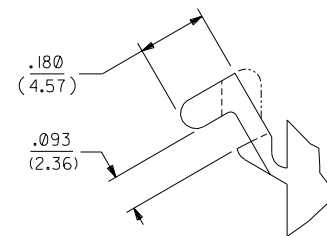
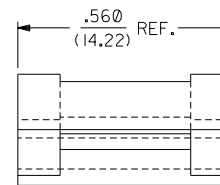
HOUSING	DIM. "A"	DIM. "B"	DIM. "C" (STD. EAR)	DIM. "C" (PREBENT)
STD. PLUG	.930/(23.62)	.760/(19.30)	N/A	.39/(9.9)
OPT. PLUG	.937/(23.80)	.660/(16.76)	.13/(3.3)	N/A
RECEPTACLE	.828/(21.03)	.725/(18.42)	.37/(9.4)	.41/(10.4)

NOTES:

- 1 THESE PARTS COMPLY WITH MOLEX PRODUCT SPEC. 02-09.
- 2 HOUSINGS FOR USE WITH MOLEX .093/(2.36) PIN AND SOCKET TERMINALS.
- 3 RIBS ARE PRESENT ONLY ON STANDARD PLUG WITH PREBENT MOUNTING EARS. FOR PLUG HOUSINGS REQUIRING MOUNTING EARS, ONLY PREBENT STYLE IS AVAILABLE.



DETAIL 3  
.093/(2.36) STANDARD MOUNTING EAR  
(SCALE 4:1)



DETAIL 4  
.093/(2.36) PREBENT MOUNTING EAR  
(SCALE 4:1)

DIMENSIONS SHOWN (METRIC) INCH UNLESS OTHERWISE SPECIFIED TOLERANCES: ANGULAR ±.0020		REVISE ONLY ON CAD SYSTEM	
3 PLACE ± .010 --- 2 PLACE ± .014 ± 0.25 1 PLACE --- ± 0.35		TITLE .093/(2.36) HOUSING, PLUG AND RECEPTACLE, 9 CKT. 9.198/(5.03) CTRS.	
DRAFT WHERE APPLICABLE MUST REMAIN WITHIN DIMENSIONS		MOLEX INCORPORATED SHEET NO. DATE U.S.A. 4 2/18/89	
DRWG. BY: GEP CHK'D. BY: RW APP'D. BY: RAS SCALE: 2:1		PART NO. SD-1292-*	
LTR. REVISIONS		FILE NAME: 51292X4.DWG DIV. CP	